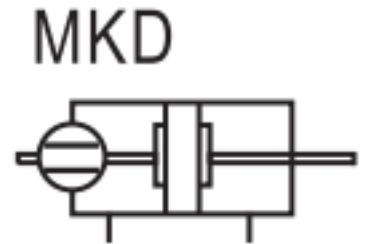


MKD—Multi-Mount Cylinder



Specification

Bore size (mm)	6	10	16	20	25	32
Acting type	Double acting					
Fluid	Air(to be filtered by 40 um filter element)					
Operating pressure	0.1~1.0MPa(14~145psi)					
Proof pressure	1.5MPa(215psi)					
Temperature °C	30~500					
Speed range mm/s	50~200					
Stroke tolerance	+1.0 0					
Cushion type	Bumper					
Port size①	M5*8.0	1/8"				

① PT thread, NPT and G thread are available. Add) Refer to P397~420 for details of sensor switch.

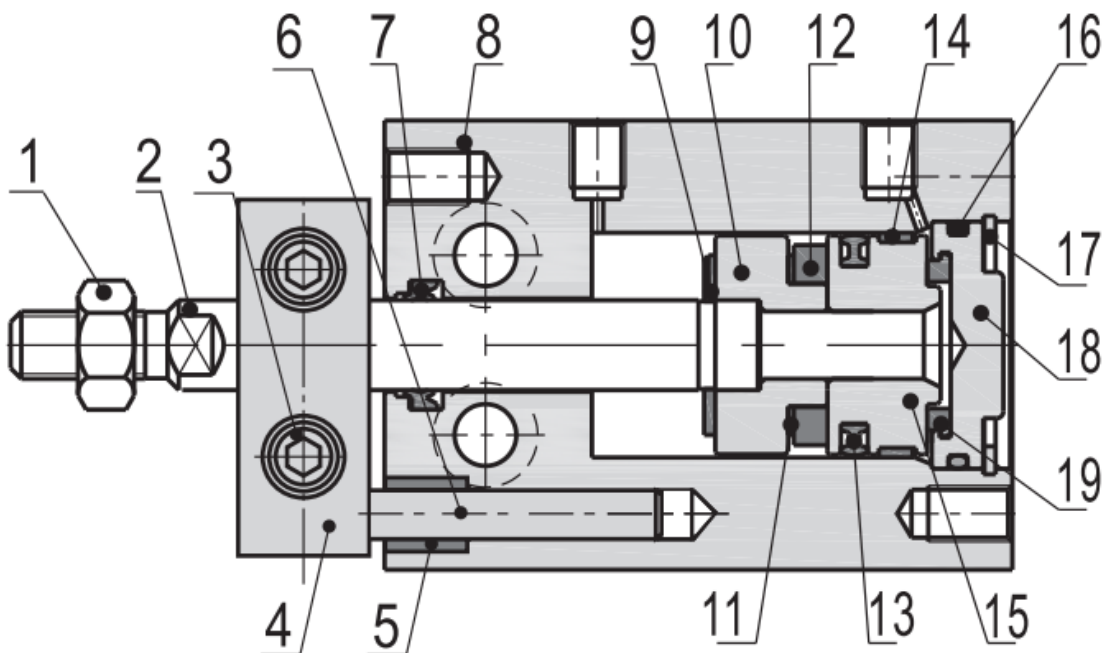
Stroke

Bore size (mm)	Stroke type(mm)	Max.std stroke	Max. stroke
6	5 10 15 20 25 30 35	35	40
10	5 10 15 20 25 30 35	35	40
16	5 10 15 20 25 30 40 50	50	70
20	5 10 15 20 25 30 40 50 60	60	80
25	5 10 15 20 25 30 40 50 60	60	80
32	5 10 15 20 25 30 40 50 60	60	80

Product Feature

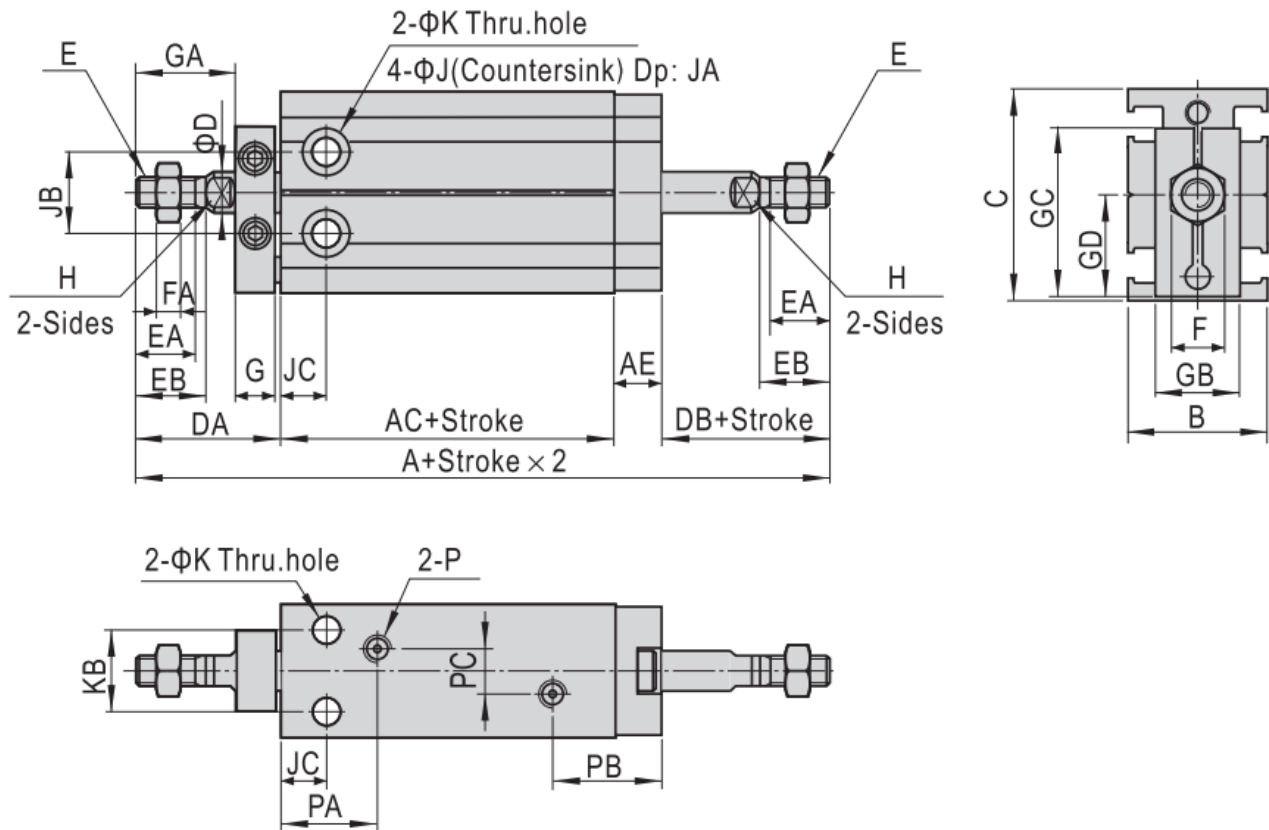
1. There are several fixation ways for the cylinder, and also convenient to install and use.
2. Several cylinders can be assembled together to effectively save the installation space.
3. The guide precision of piston rod is high and no additional lubricant is needed.
4. Fixed block is attached to piston rod, which prevents it from rotating.
5. Various cylinders are available for your choice.
6. The seal materials with high temperature resistance is adopted to guarantee the normal operation of cylinder at 150°C(Option).

Inner Structure and Material of Major Parts



NO.	Item	Material	NO.	Item	Material
1	Rod nut	Carbon steel	11	Magnet washer	NBR
2	Piston rod	Stainless steel	12	Magnet	Sintered metal (Neodymium-iron-boron)
3	Screw	Carbon steel	13	Poston seal	NBR
4	No-rotating plate	Aluminum alloy	14	Wear ring	Wear resistant material
5	Bushing	Brass	15	Piston	Aluminum alloy
6	Fixed rod	Stainless steel	16	O-ring	NBR
7	Rod packing	NBR	17	C-clip	Spring steel
8	Body	Aluminum alloy	18	Back cover	Aluminum alloy
9	Bumper	TPU	19	Bumper	TPU
10	Magnet holder	Aluminum alloy			

Dimension



Bore size /Item	A (Without magnet)	A (With magnet)	AC (Without magnet)	AC (With magnet)	AE	B	C	D	DA	DB	E	EA	EB	F	FA
6	75	75	38	38	6	16.5	22	3	18	13	M3*0.5	7	8	5.5	2.5
10	79	79	36	36	6	16.5	24	4	21	16	M4*0.7	10	11	7	2
16	79.5	89.5	30	40	7.5	50	32	6	26	16	M5*0.8	11	12.5	8	4
20	93	103	36	46	9	26	40	8	29	19	M6*1.0	12	14	10	5
25	105	115	40	50	9	32	50	10	33	23	M8*1.25	15.5	18	12	6
32	121	131	42	52	10	40	62	12	42	27	M10*1.25	19.5	22	17	6

Bore size /Item	G	GA	GB	GC	GD	H	J	JA	JB	JC	K	KB	P	PA	PB	PC
6	8	9	11	19	10.9	-	6	5	10	7	3.3	7	M5*0.8	14	16	-
10	8	12	13	20.5	11.9	-	6	5.5	11	7	3.3	9	M5*0.8	15.5	16	-
16	8	17	13	26.5	15.9	5	7.5	6.5	14	7	4.5	12	M5*0.8	14.5	17.5	3
20	8	20	16	32	19.8	6	9.5	8	16	9	5.5	16	M5*0.8	19	20	9
25	10	22	19	40	24.8	8	9.5	9	20	10	5.5	20	M5*0.8	21.5	17.5	12
32	12	29	24	49	30.8	10	11	11.5	24	11	6.5	24	1/8"	23	22.5	13